



FRICITION SHAFTS

FRICITION RINGS WITH EXPANDING ROLLERS



- ✓ Ideal solution for multiple reels rewinding
- ✓ Reel cores from 45mm to 400mm
- ✓ No damage of the reel core
- ✓ Wider grip surface, greater core stability
- ✓ Friction ring 7,65mm
- ✓ Ideal solution both for cardboard and plastic cores

Re friction shafts are the ideal solution for multiple and independent rolls rewinding on the same shaft, as each one needs a proper web tension.

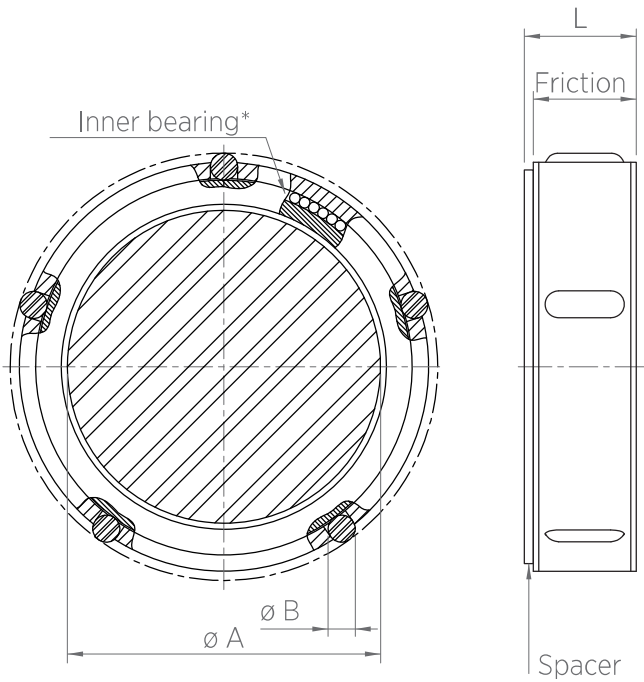
During the rewinding process of multiple rolls, obtained after the cutting process of a plastic film or paper or any other material, it is common to have substantial differences in material thickness which cause web tension to vary. To solve this issue, Re friction shafts individually lock the core of each roll onto one or more of the shaft's friction rings. This individual engagement allows each roll to wind evenly, with uniform web tension throughout.

Re friction rings with rollers, made of hard black anodized aluminium or steel depending on the width, are equipped with wider supporting surface expanding rollers that guarantee the best performance in any working condition.

An inner ball bearing of spheres increases the sturdiness of the ring, even if made in aluminium, and makes the sliding action more fluid.

Friction rings with widths starting at 19,65 mm, can be equipped with preloaded positioners to increase the stability of the reel cores before the gripping rollers engage the core.

TECHNICAL DRAWING

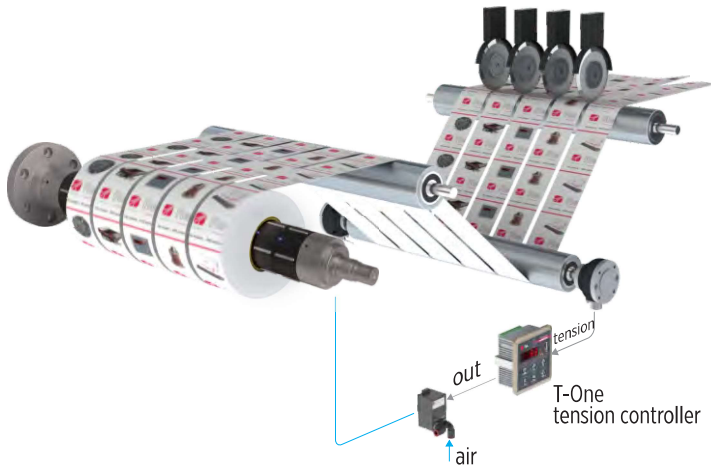


Friction ring + spacer (L) mm	from 8 to 50	
Spacer mm	from 0,35 to 1	
ø shaft (A) mm	from 30 f7 to 150 f7	
ø core mm	from 45 to 400	
ø roller (B) mm	from 3,2 to 8	
Friction material	L < 19,65 mm	nickel-plated steel
	L ≥ 19,65 mm	hard anodized aluminium
Preloaded positioners	optional for L ≥ 19,65 mm	

Other dimensions on request
Data are subject to technical change without notice

*Only for friction rings ≥ 19,65

APPLICAZIONE



Thanks to the high experience in the design of tension controllers, we can provide a wide range of solution for the control of the speed and the pressure of the friction axis.

For these features, Re friction shafts are the ideal solution to be used on slitting rewinding machines.



Re S.p.A.
via Firenze 3
20060 Bussero (MI) Italy

T +39 02 9524301
F +39 02 95038986
E info@re-spa.com

Assistenza tecnica
Technical support
T +39 02 952430.300
E support@re-spa.com

Assistenza commerciale
Sales support
T +39 02 952430.200
E sales@re-spa.com