



WG.251-SKB

SKUBA RESMART



- ✓ compact size
- ✓ logic and control unit integrated on the frame
- ✓ high level of protection IP54
- ✓ precise, quick and reliable

application fields

- ✓ bottling lines
- ✓ labelling machines
- ✓ packaging machines
- ✓ hygiene products production machine

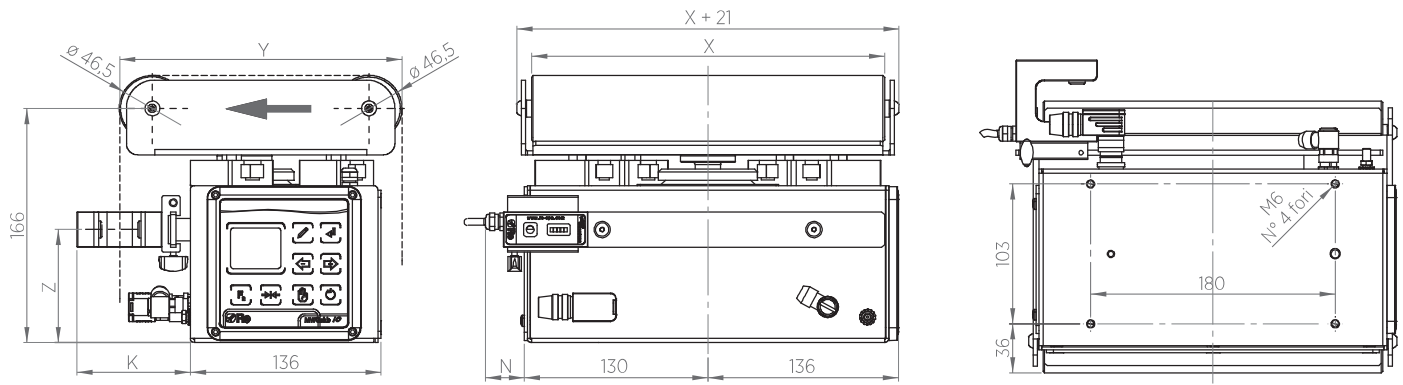
WG.251 SKUBA webguiding system mount on board the MWG10 control unit and offers an **advanced level of protection (IP54)** which makes it particularly suitable for use in **dusty environments** or wherever **liquids** are present.

It represents the best solution to solve downtimes quickly due to a wrong alignment of the web; moreover, thanks to its **compact size**, the Skuba webguide can be smoothly integrated on existing machines.

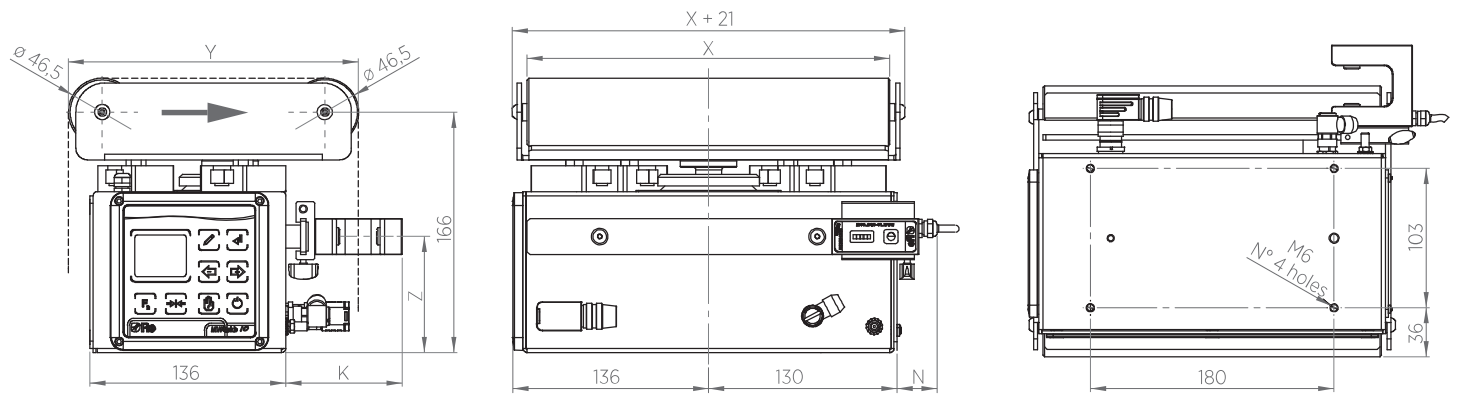
Control unit: It integrates the control logic and the power driver for motor in a single and very compact case. **Ease of use, response speed and reliability**, are the strong points of the new MWG. 10 regulator.

Sensor: To detect the positioning of the material edge, a sensor is installed on the frame of the webguide. It could be the ultrasound SU-M.25 sensor to detect materials such as paper or plastic films, or the infrared SIR-M.25 sensor for soundtransparent materials.

WG.251.SKB.X.Y.50 SX



WG.251.SKB.X.Y.50 DX



*For other dimensions contact our technical dpt.

TECHNICAL CHARACTERISTICS

Power supply/absorption	24 Vdc /4 A	
Weight	10 kg	
Roll diameter	46,5 mm	
Min-max actuator speed	4,5-70 mm/s	
Max web tension	300 N	
Regulation precision	< 0,1 mm	
Working temperature	10÷50°C	
Protection class	IP54	
Supply cable max lenght	10 m	
	SU-M.25	SIR-M.25
Detection range	+/- 2,5 mm	+/- 2,5 mm
Fork width	25 mm	30 mm
Resolution	0,010 mm	0,025 mm
Ultrasound frequency / infrared wavelength	220 kHz	950 nm
Response time	3,5 ms	1 ms

*Subject to technical change without notice



Re S.p.A.
via Firenze 3
20060 Bussero (MI) Italy

T +39 02 9524301
F +39 02 95038986
E info@re-spa.com

Assistenza tecnica
Technical support
T +39 02 952430.300
E support@re-spa.com

Assistenza commerciale
Sales support
T +39 02 952430.200
E sales@re-spa.com