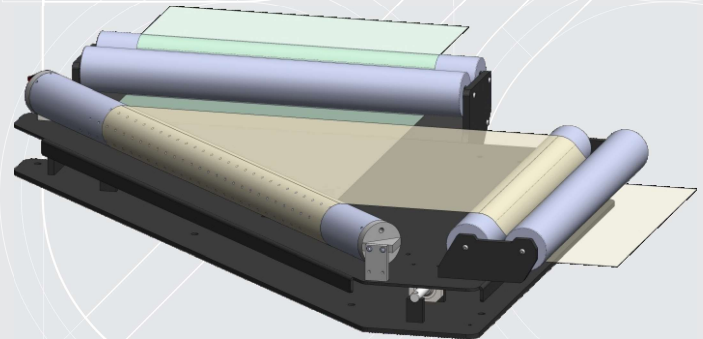




WG Reverse 90

TURNING BARS WEB GUIDING SYSTEM



- ✓ Used on machines with rewinder perpendicular to the unwinder
- ✓ Used for double-side processing of a web
- ✓ Used both for turning and aligning a web
- ✓ No damage of the web surface
- ✓ High web aligning precision

The web guiding system Reverse with turning bar is a complex system designed for the double-side processing of a running web.

Usually it is installed on machines with the rewinder perpendicular to the unwinder. WG Reverse 90 allows the web turning in order to print or make processes on both sides.

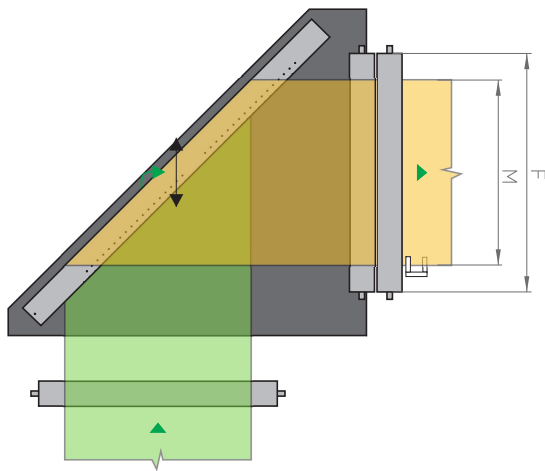
Other than the web turning, the Reverse system, equipped with the MWG10.1 control unit and sensors, can be used for a precise alignment of the web to ensure a perfect processing.

The 45° diagonal bar of the system is chrome-plated and micro-perforated to generate a cushion of air necessary for turning the web without any damage of the web surface caused by the rubbing on the roll.

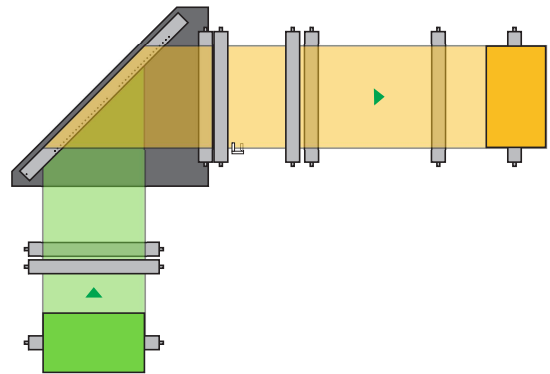
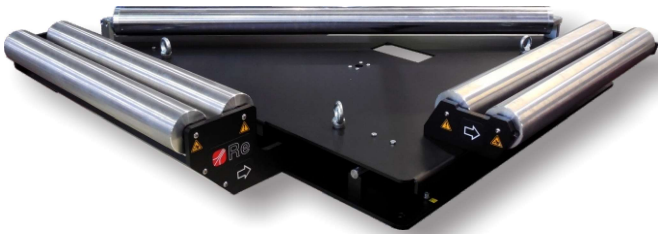
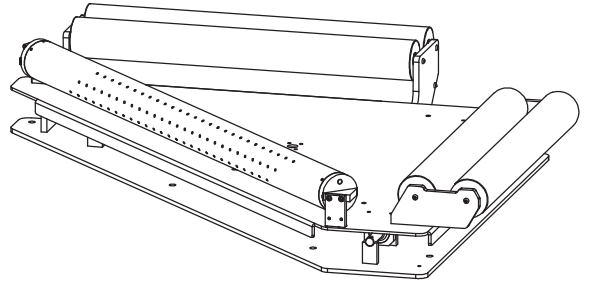
Sensors: the system can be used with both infrared or ultrasonic sensors to detect the edge, and with optical sensor to detect line or edge, of all kind of materials.

Control unit: WG Reverse 90 can be set up and managed by the MWG10.1 controller that integrates both the control logic and the power driver for motor in a single and very compact case. The user-friendly interface and buttons make sure that the system is very easy to handle.

TECHNICAL DATA



M web width
F roll length



TECHNICAL DATA

Power supply		24 Vdc
Power consumption		4 A
Actuator stroke		$\pm 25 \div \pm 50$ mm
Actuator speed		min 1 mm/s - max 37mm/s
Roll length F	standard*	≤ 1600 mm
Diameter diagonal bar	standard*	80 mm \pm 160 mm
Max web tension	standard*	up to 800 N
Working temperature		10 \div 50° C

*Other dimension on request

***Data are subject to technical change without notice



Re S.p.A.
via Firenze 3
20060 Bussero (MI) Italy

T +39 02 9524301
F +39 02 95038986
E info@re-spa.com

Assistenza tecnica
Technical support
T +39 02 952430.300
E support@re-spa.com

Assistenza commerciale
Sales support
T +39 02 952430.200
E sales@re-spa.com