



PTS²⁵

LINE SENSOR



- ✓ Identify solid or broken lines, edges, pattern
- ✓ Assisted calibration
- ✓ Extreme precision and reliability
- ✓ Faithfull reproduction of the real image
- ✓ Viewing area 25x16
- ✓ Easy and intuitive installation
- ✓ Speed regulation 1 kHz

PTS²⁵ is the line sensor designed to identify the position of solid lines, broken lines, printed edges, web edges and patterns of any kind on a moving web even at the highest web speeds; made possible by its 1kHz regulation speed.

The PTS²⁵ has been designed to optimize the operator experience by using a simple and user-friendly interface, text messages and even assisted calibration.

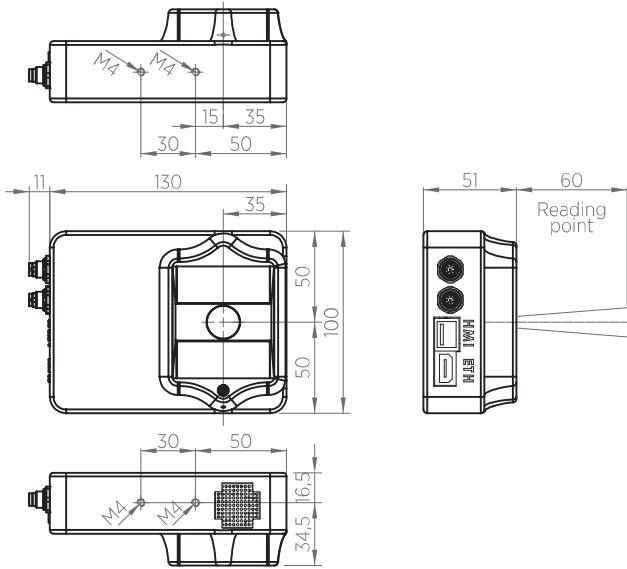
The PTS²⁵ is able to select the best reading point inside the viewing area even in extremely adverse conditions, such as reflective materials, low contrast, imperfect light conditions, etc... without manually relocating the sensor. Finally, the line sensor is equipped with a red laser track to simplify its positioning according to the reference line to follow.

Re technicians also paid particular attention to the mechanical installation of the sensor. Thanks to an articulating bracket and the ability to locate the sensor up to 60mm from the web, without losing focus on the image, the PTS²⁵ doesn't have to be moved or removed during web positioning.

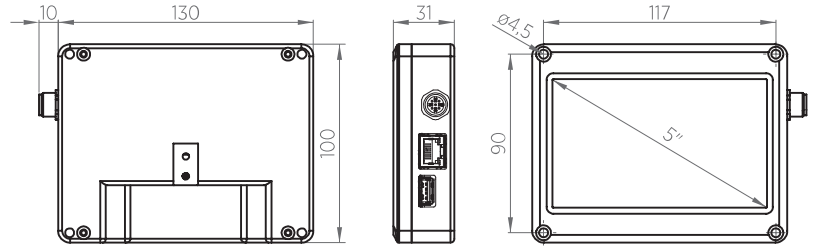
The PTS²⁵ is equipped with a 5" color touch screen display that ensures dependable reproduction of the real image. Two high-power LED lights produce true white light to ensure the best performance even in bad lighting conditions. The sensor is provided with a viewing area of 25x16 mm and with digital and analog inputs and outputs.

TECHNICAL DRAWING

Sensor PTS²⁵



Display PTS²⁵



TECHNICAL DATA

Sensor PTS²⁵

Power supply	24 Vdc
Consumption	<300 mA
Measuring range	± 12,5 mm
Resolution	0,066 mm
Response time	1 ms
Analog OUT	0÷5V / 0÷10V (R _{load} > 1KΩ) / -5÷+5V / -10÷+10V (R _{load} > 3KΩ) 4÷20mA / 0÷10mA / 0÷20mA / 0÷24mA (R _{load} > 400KΩ)
I/O	1 x analog IN 0÷10V; 2 x digital IN 2 x digital OUT; 1 x Ethernet 1Gbit
Communication	Standard Ethernet 10/100Mbit (TCP/IP) CAN bus (protocollo proprietario)
Distance PTS ²⁵ -material	60 mm
Cable length sensor-keyboard	not limited, repeatable, according to Ethernet standard
Working temperature	0÷50°C
Protection class	IP20

Display PTS²⁵

Power supply	24 Vdc From sensor PTS ²⁵
Consumption	<100 mA
Service port	1 x service port
Display	5" touch resistive
Display resolution	800x480 px color
Working temperature	0÷50°C
Protection class	IP20

* Data are subject to technical change without notice



Re S.p.A.
via Firenze 3
20060 Bussero (MI) Italy

T +39 02 9524301
F +39 02 95038986
E info@re-spa.com

Assistenza tecnica
Technical support
T +39 02 952430.300
E support@re-spa.com

Assistenza commerciale
Sales support
T +39 02 952430.200
E sales@re-spa.com