



# PNEUMOGRIP

## PNEUMO-MECHANICAL CORE CHUCKS



- ✓ Safety for the operator
- ✓ Sturdy, flexible and reliable
- ✓ Easy installation
- ✓ Perfect grip on the reel core
- ✓ Perfect control of the reel
- ✓ No maintenance
- ✓ Fixing flange on customer's request
- ✓ For cores from 3" to 12"

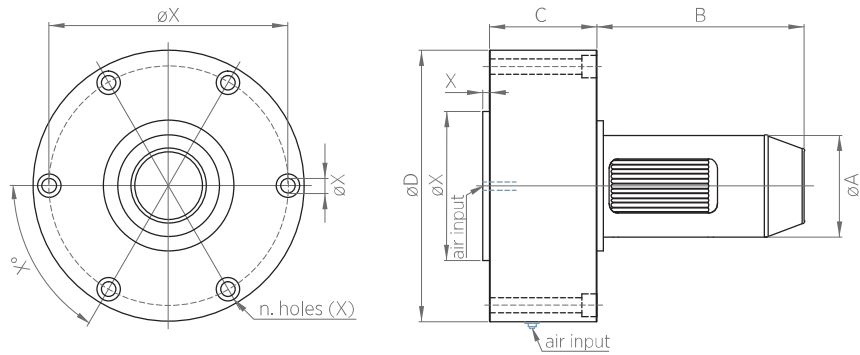
Pneumogrip pneumo-mechanical core chucks are provided with a pneumo-mechanical system which, using air pressure, expand the sectors with an high grip surface to guarantee a safe and good fixing of the reel core.

Pneumogrip chuck is very compact, robust and flexible; it guarantees cleaning and safety for the operator, reliability on the reel control and no maintenance.

Flexibility is another important characteristic of Rotogrip chucks: depending on the application, the fixing flange can be made on customer's request, are available different dimensions, mono or double diameter and for cores from 70mm to 12".

For these characteristics of sturdiness, flexibility, long life span and ease of installation, Pneumogrip core chucks are widely used with reels of big size and weight such as in corrugated cardboard production industry.

## PNEUMOGRIP mono diameter



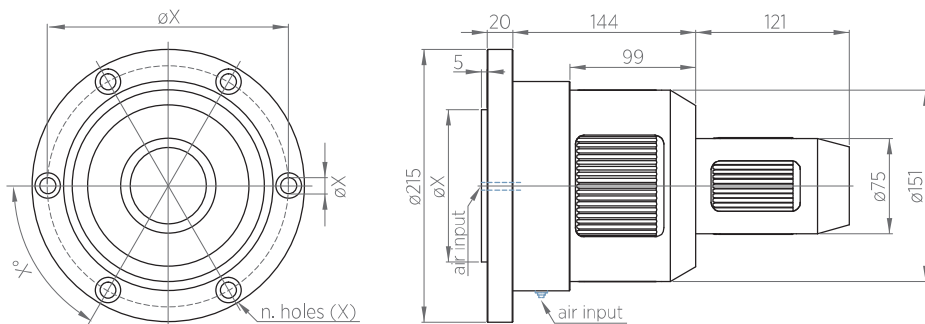
### TECHNICAL DATA

Inside core diameter	<b>3"</b>	<b>4"</b>	<b>6"</b>	<b>12"</b>
A - mm	75	101	151	304
B - mm	153	131,5	142	142
C - mm	79	75	54	54
D - mm	200	238	238	390
X - mm	on customer's request			
Max expansion - mm	85	111	161	314
Max load - N	20000	30000	40000	60000
Transmissible torque - Nm	1000	1200	1500	10000

\*Data are subject to technical change without notice

\*\*All data have to be considered for single chuck

## PNEUMOGRIP double diameter



### TECHNICAL DATA

Inside core diameter	<b>3"/6"</b>
X - mm	on customer's request
Max expansion - mm	85/161
Max load - N	20000/30000
Transmissible torque - Nm	1000/1200

\*Data are subject to technical change without notice

\*\*All data have to be considered for single chuck



Re S.p.A.  
via Firenze 3  
20060 Bussero (MI) Italy

T +39 02 9524301  
F +39 02 95038986  
E [info@re-spa.com](mailto:info@re-spa.com)

Assistenza tecnica  
Technical support  
T +39 02 952430.300  
E [support@re-spa.com](mailto:support@re-spa.com)

Assistenza commerciale  
Sales support  
T +39 02 952430.200  
E [sales@re-spa.com](mailto:sales@re-spa.com)