



# AT.203

## LINEAR ACTUATOR



- ✓ Installed on unwinding and rewinding stations
- ✓  $\pm 100$  mm stroke
- ✓ 1400 N max thrust; 3100 N max thrust with maxi version
- ✓ Available with frontal flange, foot or rod ends bearing
- ✓ Available axial actuators or with gear box shifting

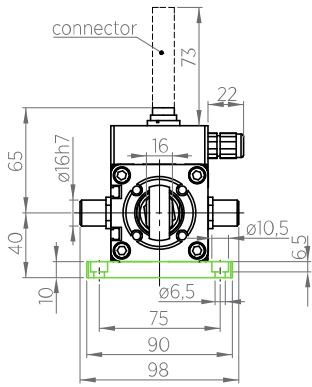
Linear actuators are generally used on unwinding and rewinding stations of compact machines to align the reel perfectly.

AT.203 guarantees a stroke of  $\pm 100$  mm and a max thrust of 1400 N; with the Maxi version, for those who require a superior thrust force, it can reach 3100 N.

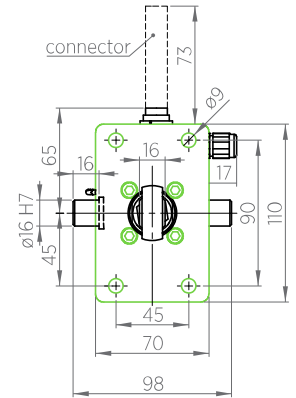
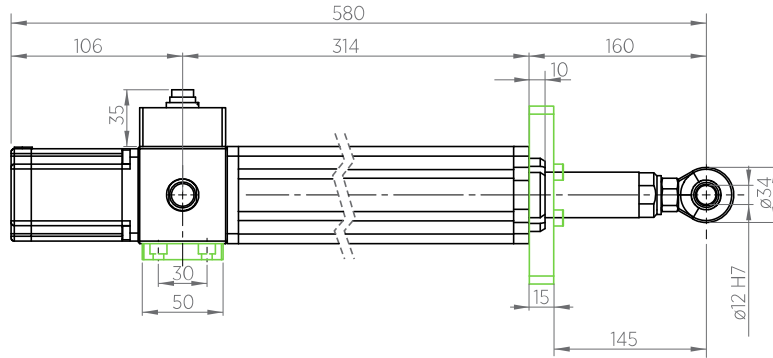
Accordingly to the application it is available with frontal flange, foot or rod ends bearing fixing for an easy installation. Are also available axial actuators or with gear box shifting to reduce the space required or to increase the thrust force. The reed electronic limit switch are inserted in the slots of the steam and are easily accessible in case the operator needs to change the stroke of the actuator.

All parameters and set up of the actuators are easily managed by the operator using the MWG10.1 controller.

## AT.203.A

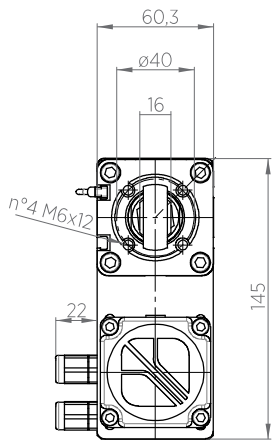


foot flange fixing

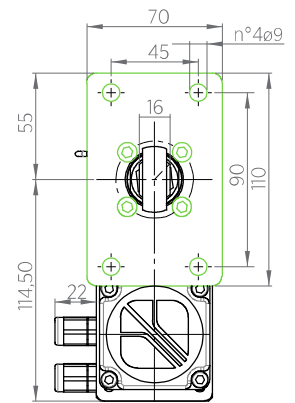
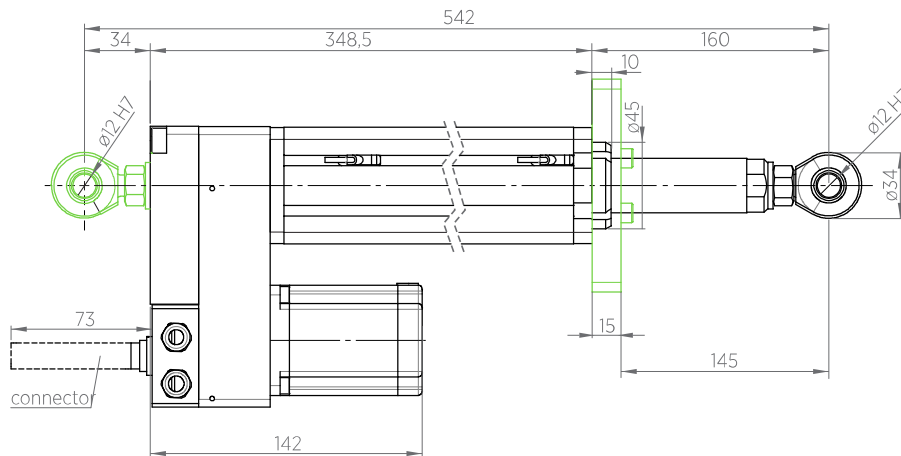


Frontal flange fixing

## AT.203.R



Rod ends bearing fixing



Frontal flange fixing

## TECHNICAL CHARACTERISTICS

	AT.203.A	AT.203.A-MX	AT.203.R	AT.203.R-MX
Power supply	24 Vdc	24 Vdc	24 Vdc	24 Vdc
Power consumption	4 A	4 A	4 A	4 A
Stroke	$\pm 100$ mm	$\pm 100$ mm	$\pm 100$ mm	$\pm 100$ mm
Min speed	6 mm/s	6 mm/s	4,5 mm/s	4,5 mm/s
Max speed	90 mm/s	90 mm/s	75 mm/s	75 mm/s
Max thrust	1100 N	2200 N	1400 N	3100 N
Thrust at 20 mm/s	650 N	1700 N	800 N	2500 N
Working temperature	10÷50° C	10÷50° C	10÷50° C	10÷50° C

\*Data are subject to technical change without notice



Re S.p.A.  
via Firenze 3  
20060 Bussero (MI) Italy

T +39 02 9524301  
F +39 02 95038986  
E [info@re-spa.com](mailto:info@re-spa.com)

Assistenza tecnica  
Technical support  
T +39 02 952430.300  
E [support@re-spa.com](mailto:support@re-spa.com)

Assistenza commerciale  
Sales support  
T +39 02 952430.200  
E [sales@re-spa.com](mailto:sales@re-spa.com)