



# AT.1103-R SMX

## LINEAR ACTUATOR



- ✓ Installed on unwinding and rewinding stations
- ✓  $\pm 50$  mm stroke
- ✓ Very high thrust force, 10000 N
- ✓ Gear box shifting actuator
- ✓ Fixing with rod ends bearing

Linear actuators are generally used on unwinding and rewinding stations of compact machines to align the reel perfectly.

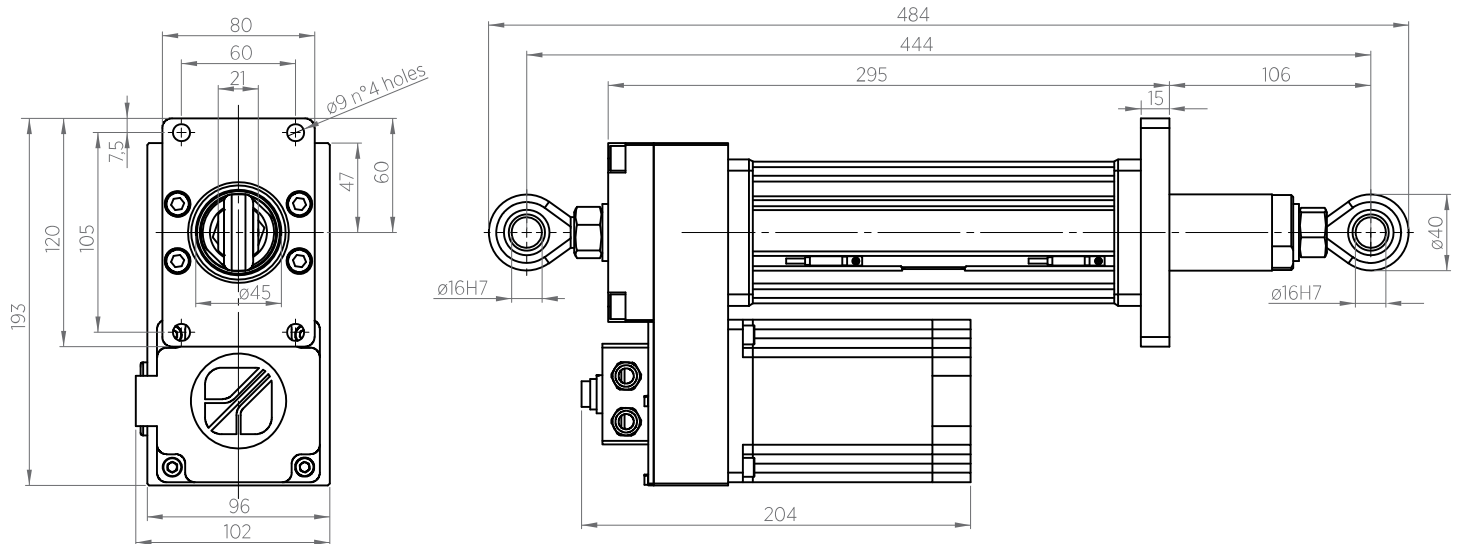
AT.1103-R SMX is usually used on applications that require a very high thrust; the actuator can guarantee a stroke of  $\pm 50$  mm and a max thrust of 10000 N.

The AT.1103-R supermaxi is available in the gear box shifting version with rod ends bearing fixing to guarantee a very high thrust force.

The reed electronic limit switch are inserted in the slots of the steam and are easily accessible in case the operator needs to change the stroke of the actuator.

All parameters and set up of the actuators are easily managed by the operator using the MWG10.1 controller.

## TECHNICAL DRAWING



## TECHNICAL CHARACTERISTICS

Power supply	24 Vdc
Power consumption	4 A
Stroke	± 50 mm
Min speed	1 mm/s
Max speed	15 mm/s
Max thrust	10000 N
Working temperature	10÷50° C
Protection class	IP40

\*Data are subject to technical change without notice